

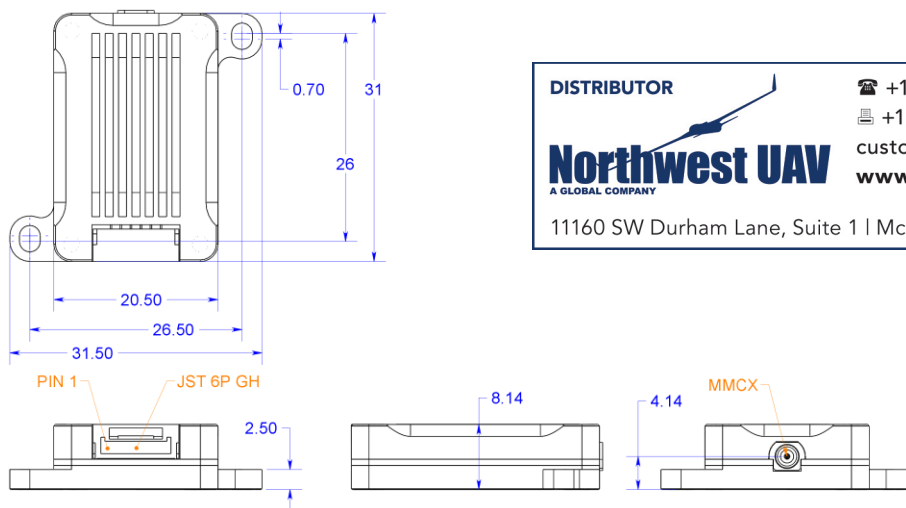
### Overview

pingRX Pro is the only dual-band UAS ADS-B receiver capable of receiving aircraft on both 978MHz and 1090MHz, and the only receiver to benefit from the heritage of certified avionics. The new pingRX Pro inherits the original pingRX's robust autopilot support while adding the protection of an aircraft-grade aluminum case and detachable remote mount antenna. pingRX Pro is the ideal ADS-B receiver for professional UAS operators who need reliability, rugged build quality, and flexibility for limitless UAS applications.

### Aviation Grade Technology

Weighing less than 8 grams, pingRX Pro's aviation grade ADS-B technology has been TSO certified in the [skyBeacon](#) and [tailBeacon](#) ADS-B OUT solutions for General Aviation (GA), and is the same technology already incorporated in over a half-million ADS-B solutions worldwide, from UAS to GA to airport vehicles. pingRX Pro offers an external antenna allowing operators to install the base unit anywhere on the airframe, and still mount the antenna in an optimal location for ideal placement and performance.

### Mechanical Specifications



### Technical Specification

Specification	Value		
Input Voltage / Power	4-6V / 150mA		
Size	32x31x9mm		
Weight	8 grams		
Receive			
MTL 1090MHz Dynamic Range	-84dBm -81 to 0dBm		
MTL 978MHz Dynamic Range	-93dBm -90 to -3dBm		
Interface			
Pin	Type	Detail	Color
1	VCC	3.3-5V Power	Red
2	RX	MavLink 57600bps UCP 115200	Black
3	TX	MavLink 57600bps UCP 115200	Black
6	Ground	GND	Black
Connectors			
Mating Connector:	JST-GHR-06V-S		
Antenna Mating Connector:	MMCX		

**DISTRIBUTOR**

**Northwest UAV**  
A GLOBAL COMPANY

11160 SW Durham Lane, Suite 1 | McMinnville, OR 97128 USA

+1 503.434.6845  
+1 503.217.6080  
customerservice@nwuav.com  
www.nwuav.com

uAvionix reserves the right to alter product, services offerings, specifications, and pricing at any time without notice.

© Copyright 2020 uAvionix, all rights reserved. [www.uavionix.com](http://www.uavionix.com)